

PROFILES FLOCKING LINE



Adhesive Application Cabin - mod. ADP6

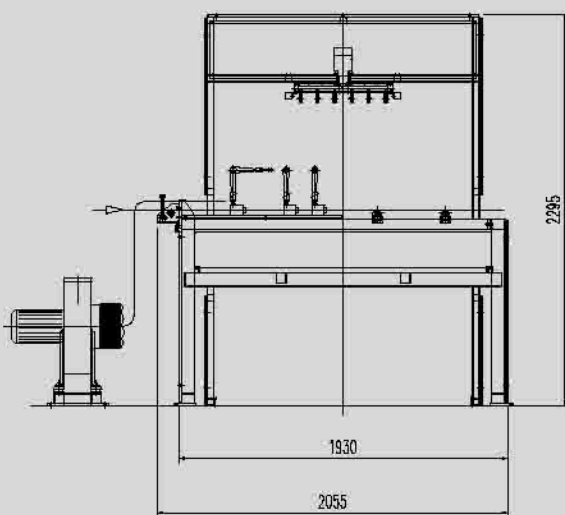


The **Adhesive Application Cabin mod. ADP6** is completely built in stainless steel and equipped with anti-sparks exhausters for adhesive fumes.

The cabin is equipped to apply glue on profiles using distributing brushes which can be easily replaced and oriented according to production needs. In order to avoid vibrations, each brush is mounted on its own independent structure.

A very precise peristaltic pump doses glue to the brushes. The cabin is equipped with rear inspection doors for easy cleaning, maintenance and filter replacement. An internal light is also provided.

Adjustable rollers and supports are provided inside the unit and are suited to mount specific profile guides.



TECHNICAL DATA

Number of adhesive tanks	1
Number of brushes	6
Peristaltic pump capacity	1300 ÷ 1400 ml/min. (adjustable)
Air suction	4000 m ³ /h
Power supply	400 V/50 Hz/three-phase
Installed power	3 Kw



ISO 9001:2000
Certified Quality System
IT-50269

