

# FLOCKING LINE



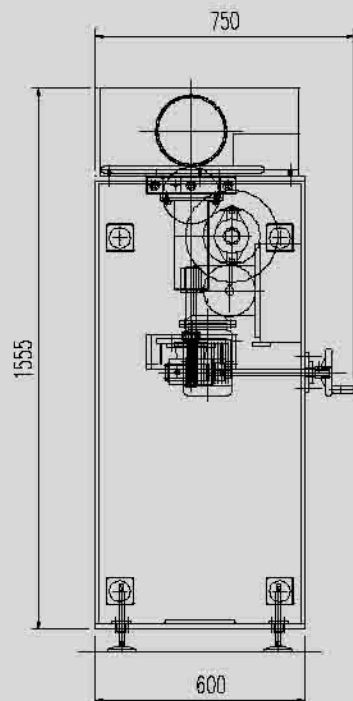
## Blowing/Embossing Machine - mod. AP1



The **Blowing/Embossing Machine mod. AP1** is used to emboss flocked fabric. It must be placed between the flocking unit and the oven in order to operate while adhesive is still wet. The embossing effect is obtained by air blowing through the rotary screen holes.

The machine consists of:

- Rotary screen head, synchronized with general motorization
- Screen tensioning device
- Screen position micrometric adjustment system
- Pneumatic lifting of the whole group
- Blowing blade placed into the rotary screen, equipped with all necessary devices to allow adjustment of:
  - air quantity
  - distance between blade and rotary screen
  - inclination
- Rotary screen group supporting frame, with rectified counter plate
- Blowing fan
- Control board.



### TECHNICAL DATA

Useful width	to be agreed upon
Mechanical speed	40 m/min. max.
Power supply	400 V/50 Hz/three-phase
Installed power	17 Kw
Compressed air	7±1 Kg/cm <sup>2</sup>

