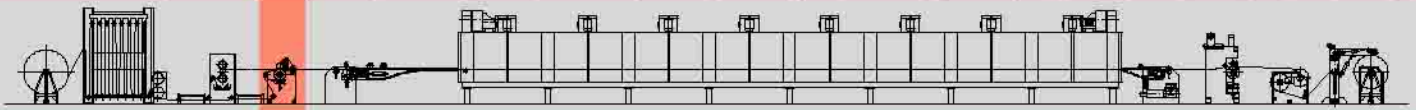


DIRECT COATING LINE



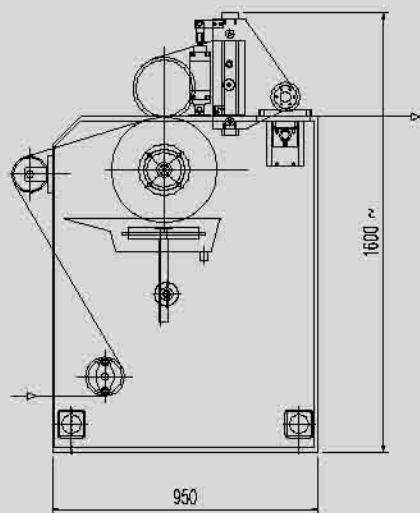
Rotary Screen Coater - mod. BS1



The **Rotary Screen Coater mod. BS1** is used to coat and print on fabric (pigments, resin and adhesives), and for pattern flocking.

Machine features:

- Rotary screen pneumatic lifting
- Removable internal paste feeding pipe
- Manual screen tensioning device
- Micrometer adjustment of the blade inside the rotary screen
- Rotary screen (not included)
- Rubber covered cylinder motorized by an inverter controlled A.C. motor
- Coating cylinder continuous cleaning system
- Fabric enlarging roller
- Paste level sensor inside the rotary screen.



TECHNICAL DATA

Useful width	to be agreed upon
Power supply	400 V/50 Hz/three-phase
Installed power	1,5 Kw
Compressed air	7 ± 1 Kg/cm ²