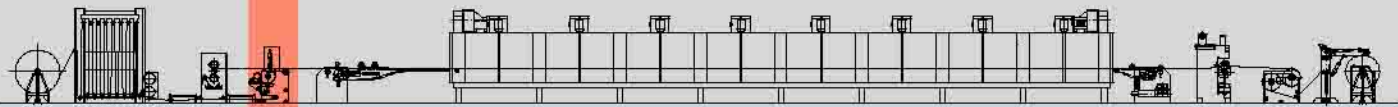


DIRECT COATING LINE



Coating Head - mod. BS2



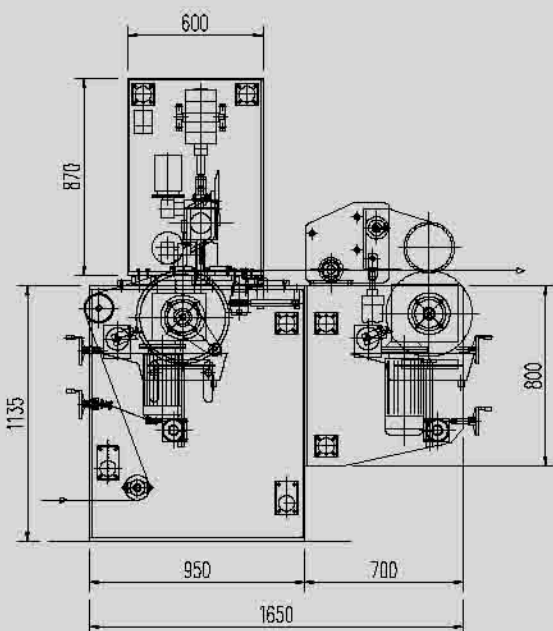
The **Coating Head mod. BS2** has been designed and built so that different coating techniques can be employed.

The following are among the advantages the machine has to offer:

- Easy implementation: the coating head can be placed at the inlet of a common stenter
- Maximum control over compound quantity; process reproducibility is guaranteed
- Great flexibility in choosing compounds and textile supports, the variety of which is continuously growing
- Great accuracy in the tensioning of textile support passing through the machine.

The unit can be used **both for air-coating and coating on cylinder**, and is equipped with a motorized device to adjust coating thickness through digital displays.

The machine is equipped with a rotary screen coating head. Such coating system allows for maximum control over compound penetration. The coating head can be used for monochrome printing as well.



TECHNICAL DATA

Useful width	to be agreed upon
Power supply	400 V/50 Hz/three-phase
Installed power	5 Kw
Compressed air	7 ± 1 Kg/cm ²

OPTIONAL ACCESSORIES

- continuous cylinder cleaning
- back and forth paste distribution
- self-aligning side-dams
- dancer-roll or loading cell
- seam sensor with resin
- anti-accumulation system
- fabric pulling roller
- foaming machine



ISO 9001:2000
Certified Quality System
IT-50269

