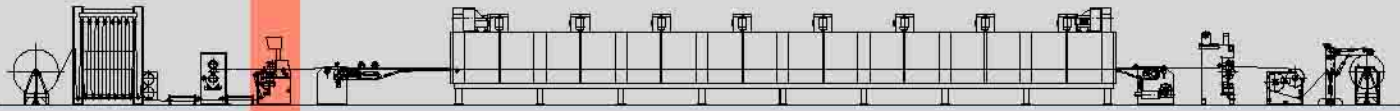


DIRECT COATING LINE



Coating Machine - mod. BSR/F



The **Coating Machine mod. BSR/F** is used to coat on fabric (resin and adhesives).

Machine features are:

- Easy implementation: the coating machine can be placed at the inlet of a common stenter
- Maximum control over compound quantity; process reproducibility is guaranteed
- Great flexibility in choosing compounds and textile supports, the variety of which is continuously growing
- Great accuracy in the tensioning of textile support passing through the machine.

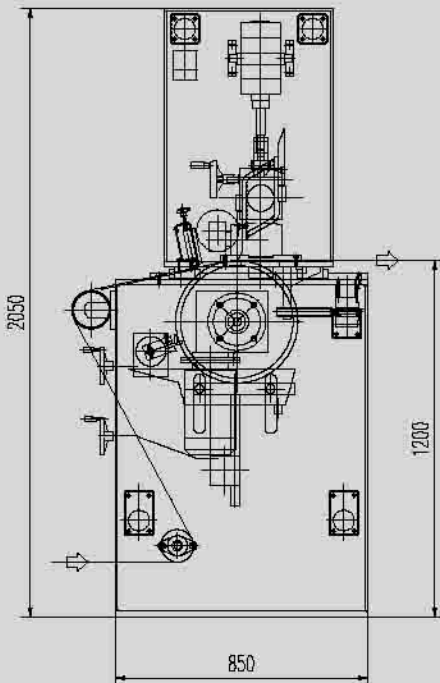
The unit can be used **both for air-coating and coating on cylinder**. It is equipped with a motorized device to adjust coating thickness through digital displays, and to lift the blade when the seam passes through.

TECHNICAL DATA

Useful width	to be agreed upon
Power supply	400 V/50 Hz/three-phase
Installed power	3 Kw
Compressed air	7 ± 1 Kg/cm ²

OPTIONAL ACCESSORIES

- continuous cylinder cleaning
- seam sensor with resin
- back and forth paste distribution
- anti-accumulation system
- self-aligning side-dams
- fabric pulling roller
- dancer-roll or loading cell
- foaming machine



ISO 9001:2000
Certified Quality System
IT-50269

AIGLE