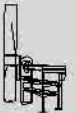


FLOCKING FOR OBJECTS



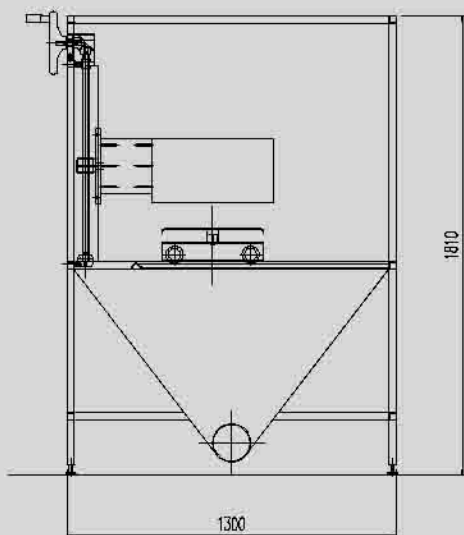
Flocking Cabinet - mod. CTATO



The **Flocking Cabinet mod. CTATO** is designed to flock objects.

The machine is equipped with:

- Sealed cabinet to avoid flock dispersion
- Flocking hopper, equipped with brushes oscillating pneumatically over an electrostatic screen
- Handwheel to adjust hopper height
- Flock recovery system with collector, suction fan and filter bag
- Pedal control with timer to adjust operation time
- Electrostatic generator with adjustable tension from 0 to 50,000 Volt
- Control panel
- Optional robotized system for automatic flocking.



TECHNICAL DATA

Useful width	to be agreed upon
Power supply	400 V/50 Hz/three-phase
Installed power	1 Kw
Compressed air	7±1 Kg/cm ²



ISO 9001:2000
Certified Quality System
IT-50269

AIGLE