

PROFILES FLOCKING LINE



Caterpillar - mod. CTP800



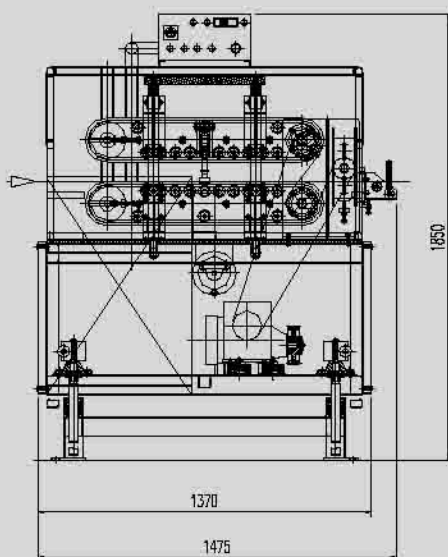
The **Caterpillar mod. CTP800** consists of a strong frame with motorization installed in the lower part, and a couple of opposed rubber covered 10 mm "Poly V" belts installed in the upper part.

Drive transmission is obtained with a special "Schmidt" joint.

A double row of grooved rollers inside the belts grants total and constant pressure all along.

For safety reasons, at machine stopping and/or at door opening, a pneumatic piston automatically lifts the upper belt 100 mm upwards, allowing comfortable profile access and easy machine inspection.

Contact pressure between belts on the profile is obtained through a retractable cylinder and adjusted using a handwheel equipped with gravimetric index.



TECHNICAL DATA

Belt width	100 mm
Useful belt contact length	800 mm
Motorization	3 Kw
Power supply	400 V/50 Hz/three-phase
Installed power	4 Kw
Compressed air	7±1 Kg/cm ²

