

# FLOCKING FOR OBJECTS



## Electropneumatic Flock Distribution Group - mod. ESP1



The **Electropneumatic Flock Distribution Group mod. ESP1** is designed to flock internal areas especially.

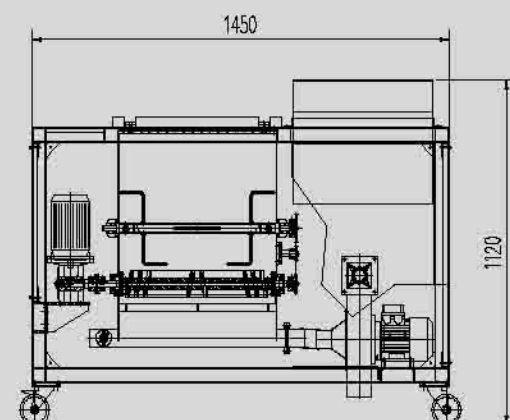
The machine consists of two separate elements:

- **Containing/dosing group**
- **Spraying group.**

The containing/dosing group is a special flock container on wheels. A brush equipped with a speed variator is mounted at its base. Flock feeding from the brush to the flock/air mixer is constant and adjustable. Flock and air flows can be independently adjusted through PLC.

The spraying group consists of a special gun attached to a flexible tube.

The unit is connected to an **Electrostatic Generator mod. GE/101/NEA** (0 ÷ 50,000 Volt variable tension).



### TECHNICAL DATA

|                 |                         |
|-----------------|-------------------------|
| Power supply    | 400 V/50 Hz/three-phase |
| Installed power | 1 Kw                    |
| Compressed air  | 7±1 Kg/cm <sup>2</sup>  |

