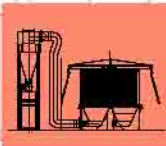


# PROFILES FLOCKING



## Carousel for Discontinuous Profile Flocking - mod. FPR/GS



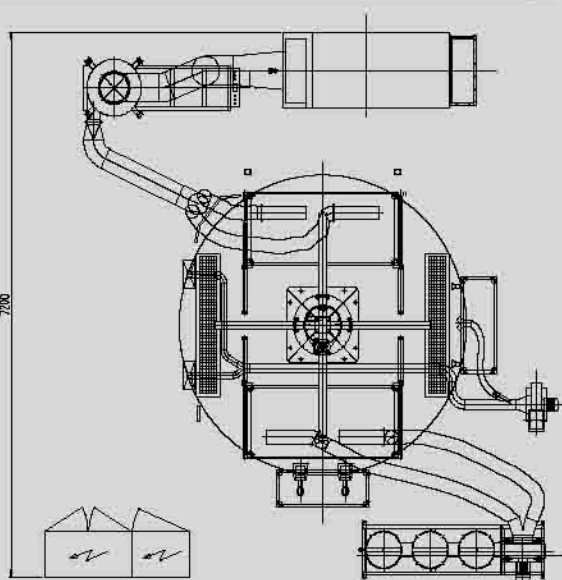
The **Carousel for Discontinuous Profile Flocking mod. FPR/GS** consists of a rotating motorized structure with step-by-step control and four metal supports - one for each of the four working stages - to which profiles are anchored. The working cycle consists of the following:

- **Loading/unloading** of the profiles, with manual application of the primer and glue
- **Flock spraying**, with **Electropneumatic Flock Distribution Group mod. ESP1** equipped with flock recycling system
- **Glue drying**, with orientable infrared panels
- **Excess flock profile cleaning** with air blowing nozzles.

All flocking stations and profile cleaning stations are equipped with a cabin which mounts a collector for excess flock underneath. The collector is connected to a suction fan and to the flock recycling system. When required by the working process, a pneumatic system connects the cabins to the profile supporting nets, thus creating new cabins sealed on all sides. The carousel is equipped with a PLC control system for all functions.

### Options:

- Self-learning robot for:
  - corona or plasma treatment station
  - glue application station
  - flocking station.



### TECHNICAL DATA

Power supply	400 V/50 Hz/three-phase
Installed power	15 Kw
Compressed air	7±1 Kg/cm <sup>2</sup>

