

PROFILES FLOCKING LINE



Electropneumatic Flocking Machine - mod. FR/ESP



The **Electropneumatic Flocking Machine mod. FR/ESP** is designed to flock undercut sections especially.

It consists of:

- **Containing/dosing group**
- **Spraying group.**

The containing/dosing group is a special flock container located in the lower part of the machine.

Two motorized Archimedean screws equipped with two speed variators are placed at its base; they feed flock in a constant and adjustable way to two air/flock mixers.

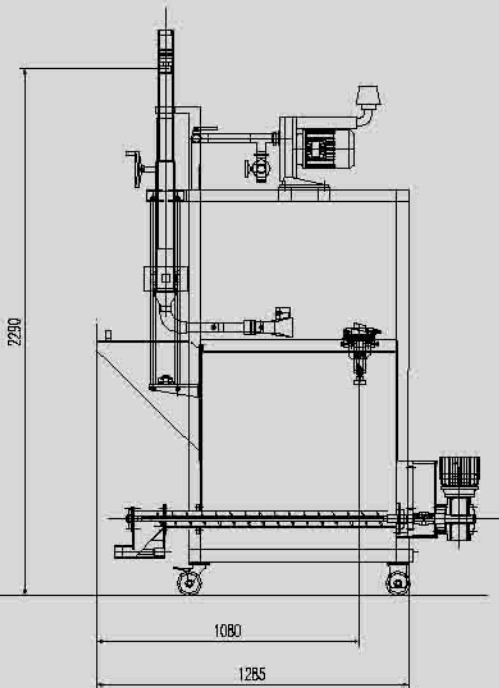
A scattering device inside the container prevents formation of flock bridges. Air/flock mixture is obtained with a special fan through a "Venturi" system. Flock is transported through two flexible pipes up to the two spraying groups located in the upper part of the machine.

Each spraying group consists of a special gun connected with an electrostatic generator (0 ÷ 50,000 Volt variable tension) and is mounted on orientable supports.

The unit is completely sealed and is depressurized in order to prevent flock pollution.

The automatic grounding system discharges high voltage to the ground when generator is switched off or windows are opened.

The unit must be connected to a suitable suction group.



TECHNICAL DATA

Power supply	400V/50 Hz/three-phase
Installed power	5 Kw
Compressed air	7±1 Kg/cm ²



ISO 9001:2000
Certified Quality System
IT-50269

