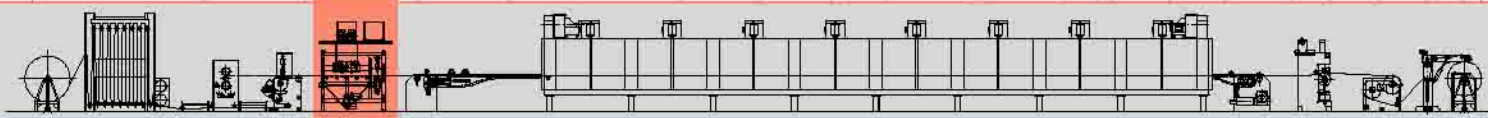


# FLOCKING LINE



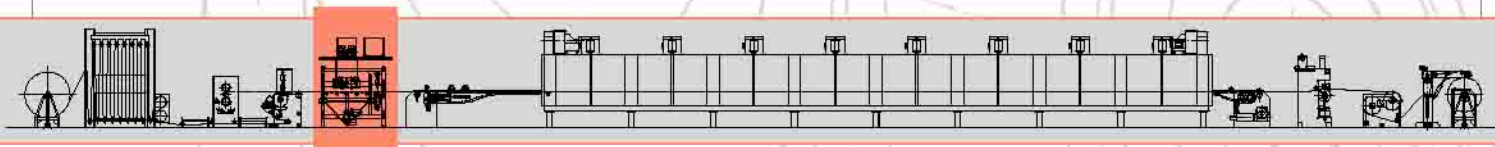
## Flocking Machine - mod. FR2



The **Flocking Machine mod. FR2** consists of:

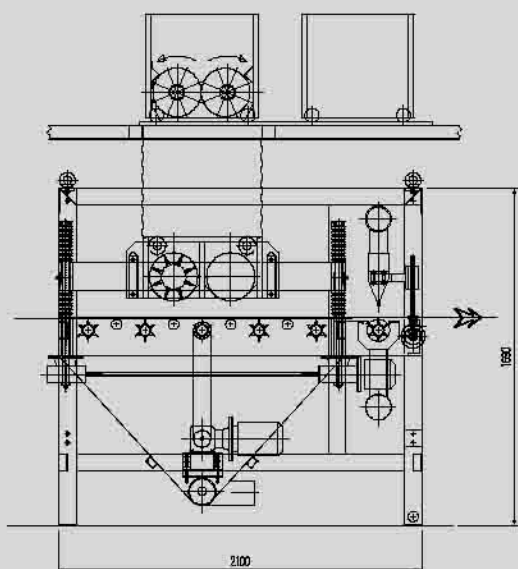
- Two electrostatic hoppers with two multi-row rotating brushes. Each brush is opposed to a stainless steel screen. Rotation speed and pressure are both adjustable. The screen can be easily removed
- Lifting system to adjust the gap between hoppers and fabric
- A set of beater bars rotating at high and variable speed. A collector below the beater bars recovers flock which falls outside the fabric. The collector is equipped with a screw conveyor for connection to the suction system
- Sealing of the flocking field with aluminium and glass windows, in order to prevent flock dispersion. When the windows are opened, the electrostatic field is automatically disconnected
- Electrostatic Generator
- A pre-feeder placed on top of the machine, which stores flock and constantly feeds it to the flocking hoppers. Flock level inside each flocking hopper is controlled automatically. »

# FLOCKING LINE



**Flocking Machine mod. FR2** main features are:

- Hoppers which handle flock very carefully, thus preventing agglomeration and formation of flock balls
- Uniform, constant and accurate flock distribution, both on the width and length of the fabric
- Electronic controls to maintain a constant level of flock inside the hoppers
- Light and balanced beater bars, built with special hexagonal aluminium sections exclusively designed by AIGLE, in order to ensure maximum uniformity of fabric vibration
- Pre-cleaning suction blade to remove excess flock from the fabric
- Easy access in order to reduce the time required for color change
- High insulation factor in order to avoid dispersion of the electrostatic field
- Maximum penetration of flock into the adhesive, thanks to the power of the generators employed and the quality of the beater bars. As an exclusive result, the finished product will be highly resistant to washing and abrasion.



## TECHNICAL DATA

Useful width	to be agreed upon
Power supply	400 V/50 Hz/three-phase
Installed power	6 Kw
Compressed air	7 ± 1 Kg/cm <sup>2</sup>



ISO 9001:2000  
Certified Quality System  
IT-50269

# AIGLE