

PROFILES FLOCKING LINE



Suction and Pre-cleaning Group - mod. PRCP

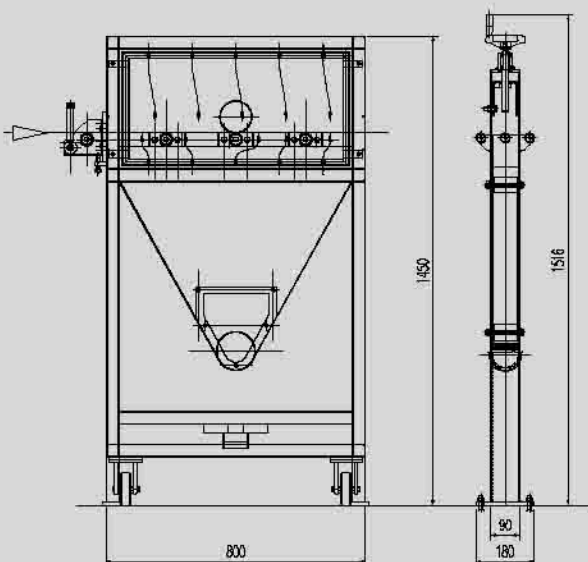


The **Suction and Pre-Cleaning Group mod. PRCP** is placed after the flocking machine to guarantee good profile pre-cleaning before it enters the drying oven, and avoid excessive flock pollution during the various working phases.

It consists of:

- A pre-cleaning unit composed of a series of compressed air blowing nozzles placed above and below the profile. Air flow rate and pressure as well as nozzles orientation are easily adjustable
- A depressurized cleaning column connected to a powerful fan and to the flock recovery suction group.

The units are connected to the central suction system through flexible pipes. Normally the suction system consists of a suction fan connected to air intakes, to flocking machines suction hoppers, and to a wide-surface filter integrated in the conditioning system.



TECHNICAL DATA

Column fan capacity	1330 m ³ /h
Column fan head	41.8 Kg/m ²
Power supply	400 V/50 Hz/three-phase
Installed power	3 Kw

