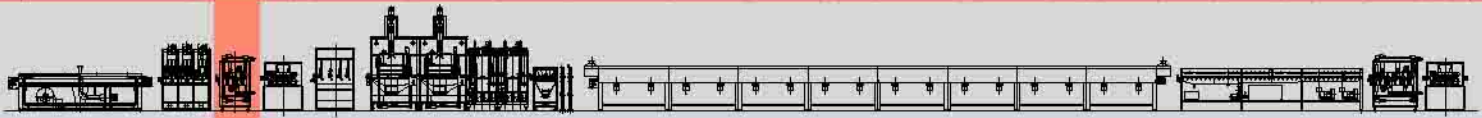


PROFILES FLOCKING LINE



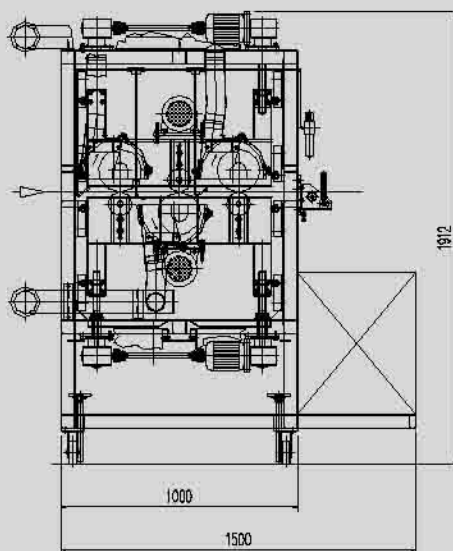
Brushing Unit - mod. SZ3



The **Brushing Unit mod. SZ3** is used to clean profile from sanding residue before glue application, or from flock residue after vulcanization.

It consists of:

- A structure on four wheels, allowing to easily move the machine
- Three brushes with natural bristles rotating on two rows, opposed to idle cylinders:
 - two for upper profile side
 - one for lower profile side.Both rows are independently motorized and equipped with motorized pressure adjustment. For proper dust recovery, each brush has a suction hood connected to a suction unit
- Sealed transparent access doors to avoid dust dispersion.



TECHNICAL DATA

Brush diameter	155 mm
Brush width	150 mm
Brush type	natural bristles
Brush motors	1+1 Kw
Power supply	400 V/50 Hz/three-phase
Installed power	2.5 Kw



ISO 9001:2000
Certified Quality System
IT-50269

AIGLE