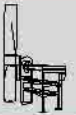
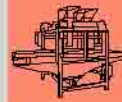


# FLOCKING FOR OBJECTS



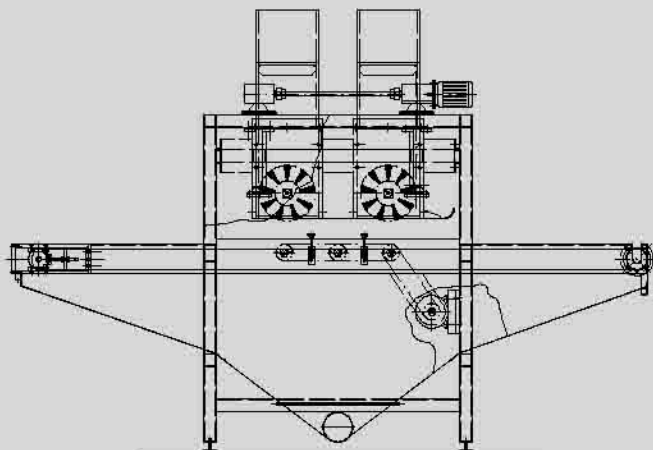
## Flocking Machine - mod. TT2



The **Flocking Machine mod. TT2** is designed to flock objects and flat surfaces.

The machine consists of:

- One variable speed motorized conveyor belt made with a fiber glass net
- Two plexiglas flocking hoppers
- Two rotating brushes inside the hoppers
- Inverter equipped speed variators which control brush rotation through insulated transmission shafts
- Motorized device to adjust gap between flocking hoppers and conveyor belt
- Beater bars below the conveyor belt
- Suction blade on conveyor belt (optional) and flock collector below the hoppers, connected to a fan equipped with sleeve filters and flock recovery bag
- Access doors to protect against flock pollution
- **Electrostatic Generator mod. EG/100**, with 100 KV maximum output
- Control board.



### TECHNICAL DATA

Useful width	to be agreed upon
Power supply	400 V/50 Hz/three-phase
Installed power	6 Kw



ISO 9001:2000  
Certified Quality System  
IT-50269

# AIGLE