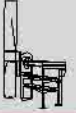
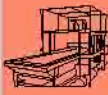


# FLOCKING FOR OBJECTS

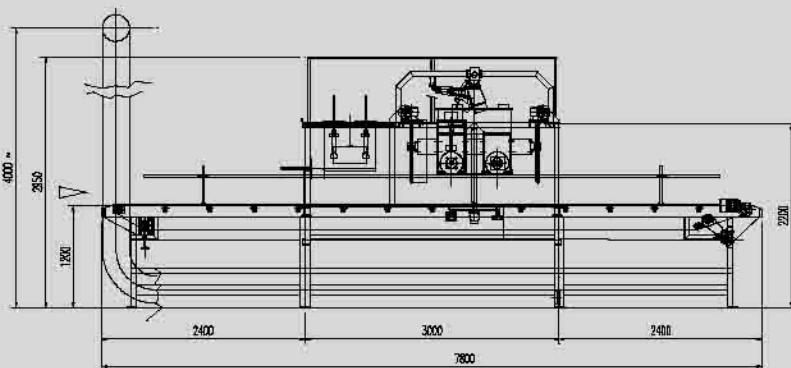


## Flocking Machine - mod. TTS

The **Flocking Machine mod. TTS** is designed to flock glove compartments.

The unit consists of:

- Completely sealed cabin to prevent flock pollution
- Variable speed conveyor belt that can be equipped with special adaptable feeding guides for optimal object placement
- First electrostatic flocking section to uniformly cover object surface, consisting of two electrostatic flock distribution hoppers with motorized height adjusting system and rotating brushes equipped with speed variator
- Second flocking section with electrostatic spray system to cover inner surfaces and equipped with four electropneumatic flock distributors
- Two **Electrostatic Generators mod. EG/100**, one for each flocking station
- Flock recycling group, placed below the conveyor belt. The collector is connected to a centralized suction system
- Control panel.



### TECHNICAL DATA

Useful width	to be agreed upon
Power supply	400 V/50 Hz/three-phase
Installed power	17 Kw
Compressed air	7±1 Kg/cm <sup>2</sup>

